



traverse systems

corded and motorized traverse 81

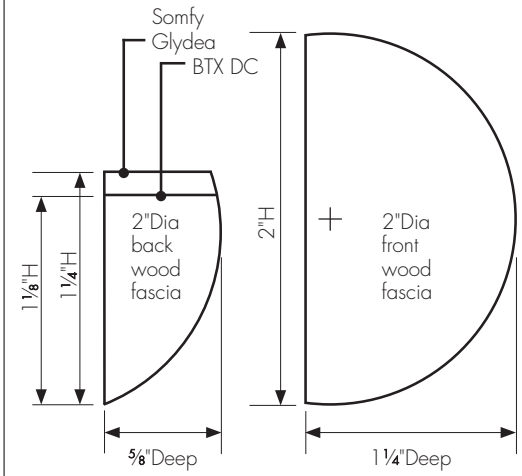
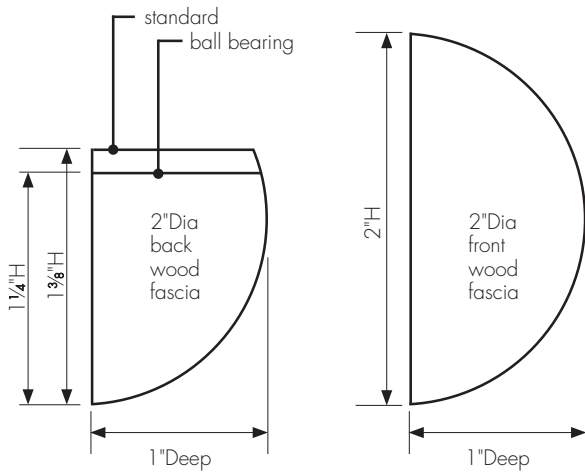
corded traverse fascia

cuts for standard and ball bearing systems

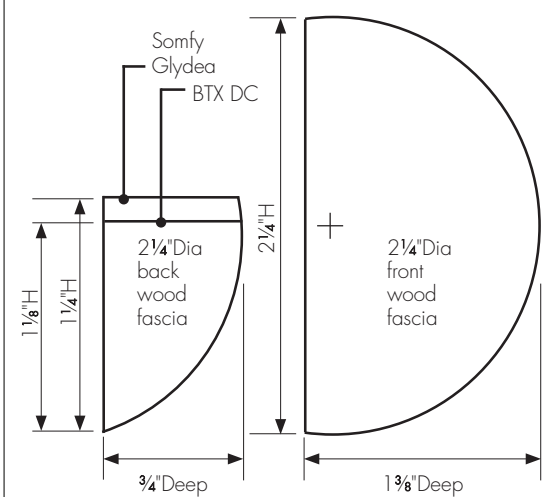
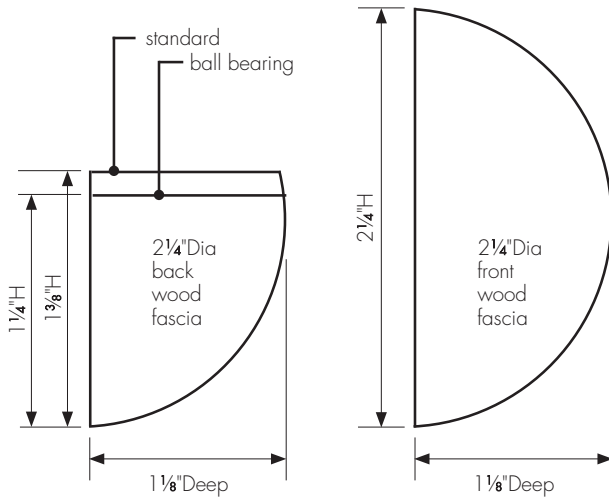
motorized traverse fascia

cuts for Somfy Glydea and BTX DC systems

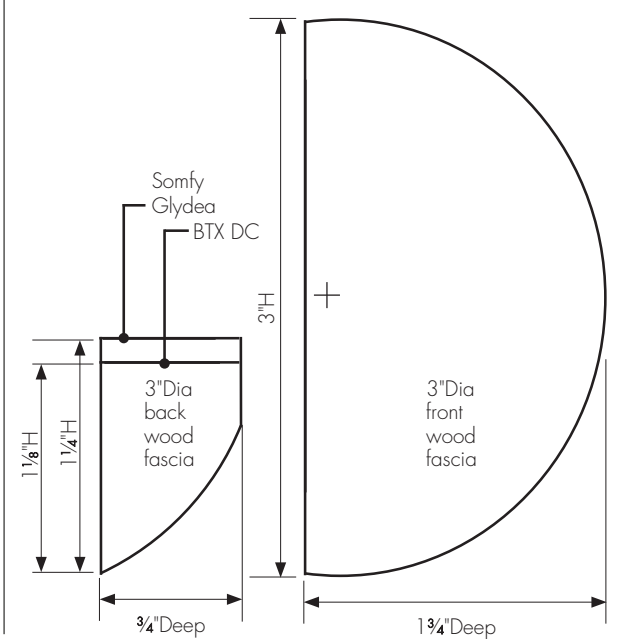
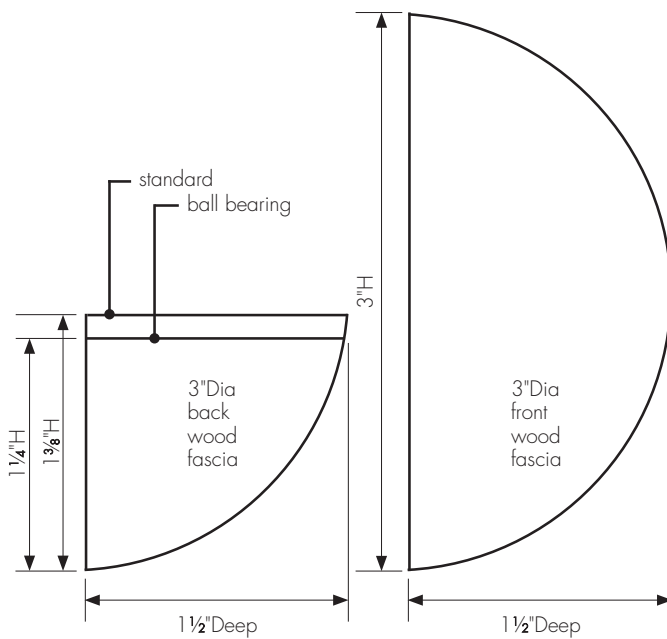
2"



2 1/4"



3"





traverse systems

All the beautiful finials and poles in our 2", 2¼", and 3" Wood and Resin Collections can be paired with any of our Corded and Motorized Traverse Systems. Standard, heavy-duty and Ripplefold®-style options are available for every window treatment, from the light-weight sheers in the guest bedroom to the heavy black-out draperies in the media room.

corded traverse systems

STANDARD TRAVERSE SYSTEMS

- Recommended for lightweight fabrics & sheers
- Single & Double Track Systems available
- Center or One-Way Draw available
- Available with or without wood fascia
- All profiles for 2", 2¼" or 3" wood poles available
- Available with or without decorative wood C-rings
- Pinch pleat carriers available
- Track and brackets available in Bronze, Gold or White; glides available in Bronze or White
- Continuous track available up to 20', fascia available up to 16'; splices and blended splices can be used to achieve longer lengths

HEAVY DUTY BALL BEARING SYSTEMS

- Recommended for heavier treatments with lining or treatments mounted over 10' from floor
- Single & Double Track Systems available
- Center or One-Way Draw available
- Available with or without wood fascia
- All profiles for 2", 2¼" or 3" wood poles available
- Not available with C-rings
- Pinch pleat or Ripplefold®-style carriers available; 80%, 100% or 120% fullness
- Track and brackets available in Bronze, Gold or White; glides and end pulleys available in White only
- Continuous track available up to 20', fascia available up to 16'; splices and blended splices can be used to achieve longer lengths



SINGLE CORDED TRAVERSE SYSTEM WITH WOOD FASCIA

- standard single systems brackets are adjustable: 3½"-4½" projection
- 6" projection brackets may be substituted at no charge
- custom ceiling mount brackets may be substituted for an additional charge
- available with finials or 3½" and 6" mitered returns, sold separately
- C-rings available for traverse systems without mitered returns



DOUBLE CORDED TRAVERSE SYSTEM WITH WOOD FASCIA

- standard double system brackets are adjustable: 2½"-3½" back rod and 5½"-6¼" front rod projection
- custom ceiling mount brackets may be substituted for an additional charge
- available with finials or 6" mitered returns only, sold separately
- C-rings available on front track only for Standard Traverse Systems without mitered returns



DOUBLE CORDED SYSTEM WITH STATIONARY POLE ON FRONT AND TRAVERSE SYSTEM ON BACK

- to order: select Single Traverse System with or without Wood Fascia
- Single Traverse System must be ordered as back rod
- stationary pole and TBKT custom bracket must be ordered separately
- available with finials, sold separately
- rings available on front pole only

Wood fascia and finials available in any standard or custom finish

Fascia over 16' will be spliced; blended fascia for a seamless look may be requested for an additional fee

All traverse systems include 4 glides per foot

All traverse systems include 2 end brackets & additional support brackets every 3-4 feet

Single traverse systems include adjustable brackets: 3½"-4½" projection

Double traverse systems include adjustable brackets: 2½"-3½" back and 5½"-6¼" front projection

Custom ceiling mount brackets and larger projection traverse brackets available; sold separately

Standard cord drop for all corded traverse systems is 120"

All corded traverse systems may be requested as hand-drawn (uncorded)

motorized traverse systems

traverse
systems

- Standard and Heavy Duty Systems available with plug-and-play power supply for standard wall outlets
- Single and Double Track Systems available in continuous lengths up to 20', spliced lengths up to 40'
- Center or One-Way Draw available; motors may be installed on either side of track
- Wall mount and ceiling mount options available
- Wood fascia available in all 2", 2¼" and 3" profiles and in all standard or custom finishes; continuous lengths up to 16'; splices and blended splices available
- Pinch pleat or Ripplefold®-style available: 80%, 100% and 120% fullness
- Curved track options available; curved fascia not available
- Motorized systems ship with fascia and brackets installed for easy installation



SINGLE MOTORIZED TRAVERSE SYSTEM WITH WOOD FASCIA

- standard single system brackets have a 3½" return
- 6" return brackets may be substituted at no charge
- custom ceiling mount brackets may be substituted for an additional charge
- available with finials or 3½" and 6" mitered returns, sold separately



DOUBLE MOTORIZED TRAVERSE SYSTEM WITH WOOD FASCIA

- standard double system brackets have a 6" return
- custom ceiling mount brackets may be substituted for an additional charge
- available with finials or 6" mitered returns only, sold separately

DOUBLE MOTORIZED SYSTEM WITH STATIONARY POLE ON FRONT AND TRAVERSE SYSTEM ON BACK

- to order: select Single Motorized Traverse System with or without Wood Fascia
- Single Traverse System must be ordered as back rod
- stationary pole and TBKT custom bracket must be ordered separately
- available with finials, sold separately
- rings available on front pole only

BTX DC MOTORIZED SYSTEM

- maximum drapery weight for standard motor: 60lbs
- maximum drapery weight for heavy duty motor: 120lbs
- tandem motors available for increased weight capacity
- solar motor available
- 6 channel white transmitter included
- 10' cord standard, longer lengths may be requested for an additional fee
- track, brackets, and glides available in Bronze, Gold or White
- Ripplefold®-style master carriers allow continuous rippling effect
- touch motion available on all motors
- wall switches available
- spliced lengths up to 40' standard & heavy duty

SOMFY GLYDE™ MOTORIZED SYSTEM

- maximum drapery weight for standard motor: 77lbs
- maximum drapery weight for heavy duty motor: 132lbs
- Indoor Sun Control Accessory available
- spliced lengths up to 32' standard, 36' heavy duty
- 5 channel white transmitter included
- 10' cord standard
- track and brackets available in Bronze, Gold or white; glides available in White only
- silver motor with internal transformer
- flat overlap Ripplefold®-style master carriers
- touch motion available of heavy duty motors
- wall switches, timers, and other accessories available
- programmable "MY" position, speed control and soft start/stop features available

Wood fascia & finials available in any standard or custom finish

Fascia over 16' will be spliced; blended fascia for a seamless look may be requested for an additional fee

Custom ceiling mount brackets & larger projection traverse brackets available; sold separately

Finials sold separately

corded and motorized traverse finish reference guide

Finish Name	Finish Code	Track and Bracket Colors	Maximum Continuous Fascia Length
2013 NEW FINISHES			
Gilded Red	600	Gold	16'
Cobalt Bronze	610	Bronze	16'
Weathered Iron	620	Bronze	16'
Ash Gray	630	White	16'
Oil Rubbed Bronze	640	Bronze	16'
Hickory	650	Bronze	16'
Antique White	660	White	16'
Espresso	670	Bronze	16'
Aged Gold	680	Gold	16'
Champagne	690	Bronze	16'
Graphite	700	Bronze	16'
Tarnished Silver	710	Bronze	16'
Tawny Oak	720	Gold	16'
Rose Gold	730	Bronze	16'
Smoky Mocha	740	Bronze	16'
Polished Gold	750	Gold	16'
Rustic Iron	760	Gold	16'
Bronze Patina	770	Bronze	16'
Hazelwood	780	Bronze	16'
Vintage Bronze	790	Bronze	16'
ADDITIONAL STANDARD FINISHES			
Bronze	105	Bronze	16'
Bronze with Gold	106	Bronze	16'
Bronze with Gold and Gray	107	Bronze	16'
Flat Black	109	Bronze	16'
Flat Black with Gold	110	Bronze	16'
Silver with Gold	112	Gold	16'
Walnut Gold	117	Gold	16'
Dark Walnut Gloss with Gold	126	Bronze	16'
Antique Steel	129	Bronze	16'
Antique Steel with Black Highlights	129B	Bronze	16'
Gray with Gold	150	Gold	16'
Antique	155	Gold	16'
Walnut Gold with Gray Accents	200	Gold	16'
Walnut	240	Bronze	16'
Platinum	250	Bronze	16'
Platinum with Black Highlights	250B	Bronze	16'
Mahogany Rust	270	Bronze	16'
Pewter	320	Bronze	16'
Bronze with Black	330	Bronze	16'
Statuary Bronze with Gold	350G	Bronze	16'

Based on your specified finish we supply track and brackets that best match the finish on your fascia. Please refer to the Finish Reference Guide to the left. If you order a custom match finish, please specify your track color.

Components are included in the per foot track price, as listed in the Retail Price List. Components will match the track color when applicable (see chart at bottom of page).

Standard carriers are 4 per foot. Standard brackets are 2 end brackets with 1 support bracket for every 3-4 feet of track.

Wood pole profiles available in 2", 2 1/4" and 3" diameters can be used as fascia.

Spliced fascia will be cut at a 45° angle for an obscure splice.

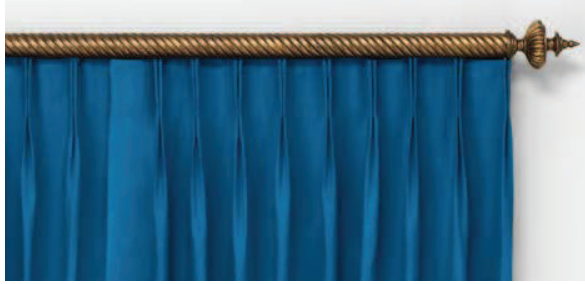
Spliced fascia can be blended for an additional fee (see Retail Price List). Blended fascia will be properly connected and shipped in one continuous length.

COMPONENT COLORS

	corded		motorized	
	regular	heavy duty	BTX	Somfy
ANTIQUE GOLD			•	
BRONZE	•		•	
WHITE	•	•	•	•

C-ring carriers are available only in Bronze

additional information



PINCH PLEAT
available on all traverse systems



RIPPLEFOLD®-STYLE
available on heavy duty corded and motorized systems

BRACKETS AND PINCH PLEAT CARRIERS
quantity per system

	6'	7'	8'	9'	10'	11'	12'	13'	14'	15'	16'
pinch pleat carriers	24	28	32	36	40	44	48	52	56	60	64
brackets	3	3	4	4	4	5	5	5	6	6	6

standard carriers are 4 per foot
standard brackets are 1 every 3-4 feet



HDTB35
steel traverse bracket, single adjustable 3½" - 4½" return
2¾"H x 1½"W backplate
must specify which traverse system to be used with to ensure proper fit

HDTB
steel traverse bracket, single or double adjustable 5½"-6¼" front return adjustable 2½"-3½" back return
3¾"H x 1½"W backplate
must specify which traverse system to be used with to ensure proper fit

regular corded traverse ceiling mount bracket clip, single
¼"H x 2½"Deep, 7⁄8"W
for track-only system without fascia

ball bearing corded traverse ceiling mount bracket clip, single
¾"H x 2½"Deep, 7⁄8"W
for track-only system without fascia

BTX ceiling mount bracket clip, single
¾"H x 2¼"Deep, 1¾"W
Gold, Bronze or White
for track-only system without fascia

Somfy ceiling mount bracket clip, single
¾"H x 2"Deep, 1"W
Gold, Bronze or White
for track-only system without fascia

all ceiling mount bracket clips can also be used to attach fascia L-bracket to track

For double ceiling mount installation, install two individual bracket clips into ceiling

traverse fascia L-bracket
½"H x 1¾"Deep, ¾"W
combines with ceiling mount bracket clip to attach fascia to ball bearing corded traverse and motorized traverse systems
(fascia is screwed directly onto front of regular corded traverse system track; no fascia L-bracket/bracket clip needed to attach regular corded traverse fascia)

CMTB
steel custom ceiling bracket, single or double
2¾"H x 1½"W backplate
specify drop: contingent upon whether C-rings are used and which finials are chosen

225CR
wood traverse c-ring
2½"ID, 4⅛"OD
use with 2" or 2¼"D wood fascia
3CR
wood traverse c-ring
3⅜"ID, 5"OD
use with 3"D wood fascia